

Overview

The HD11F series anti misoperation knife switch is suitable for a rated insulation voltage of 660V, a rated working voltage of 400V, and a rated working current of 200A to 1600A. It is mainly used in low-voltage complete sets of equipment, and is used for switching circuits and isolating power sources under no-load conditions. The technical performance of this isolator complies with IEC60947-3 and GB14048.3 standards

Structural Features

The 200/400A isolator is a single blade, with two contact pieces riveted together. When closing, it is clamped by the leaf spring of the contact to ensure contact pressure; 600, 1000, and 1600A are double blades, with a sheet-like spring on the outside to ensure reliable contact pressure. The rotating part of the blade is compressed by an elastic spherical washer. The operating handle of this series of isolators adopts a cover plate structure, and the blade is directly fixed on the insulating cover plate, which can prevent the operator from touching the live parts of the isolator during operation. The LXI9B travel switch is installed on the isolator mounting plate, which is controlled by the cover plate to open and close the contact state of the travel switch. The structure ensures that the normally closed contact of the travel switch opens before the contact and closes after the main contact

This series of isolators also has a locking mechanism, which can be used to lock the isolator, preventing it from disconnecting and withstanding the misoperation caused by short-term surge current. If the disconnection operation is carried out, it needs to be unlocked through the unlocking mechanism, and the disconnection operation can only be carried out after unlocking

型号及含义



主要技术参数

额定工作电压 (V)	约定发热电流(A)	额定短时耐受电流有效值(KA)	功率因数 COSΦ	峰值与有效值之比	通电时间 (S)
AC400	200	10	0.3	1.7	1
	400	20	0.3	2.0	
	630 (600)	20	0.3	2.0	
	1000	25	0.25	2.1	
	1600(1500)	32	0.25	-	

外形与安装尺寸

1.HD11F-200~1600A板前接线 外形与安装尺寸(见图1、表 1)

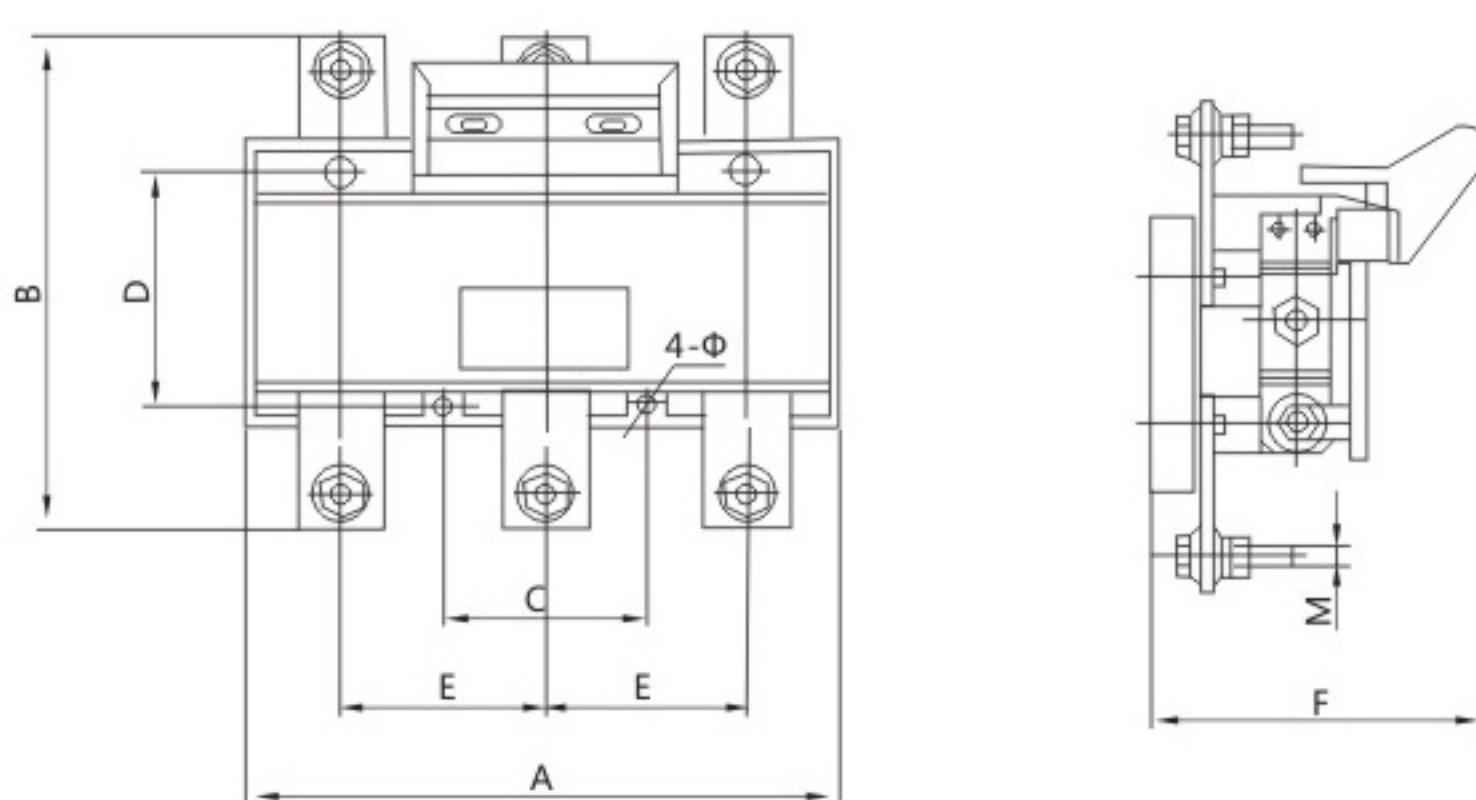


图1 HD11F-200~1600/38

表1

额定工作电流(A)	外形尺寸 (mm)					安装尺寸		
	A	B	E	F	M	C	D	Φ
200	190	204	70	152	M8	70	140	Φ7
400	210	248	80	163	M12	80	190	Φ7
630	260	282	100	168	M16	100	140	Φ9
1000	310	304	120	192	2-M12	120	140	Φ9
1600	350	335	130	210	4-M12	130	150	Φ11

2.HD11F-200~1600A板后接线 外形与安装尺寸(见图2、表2)

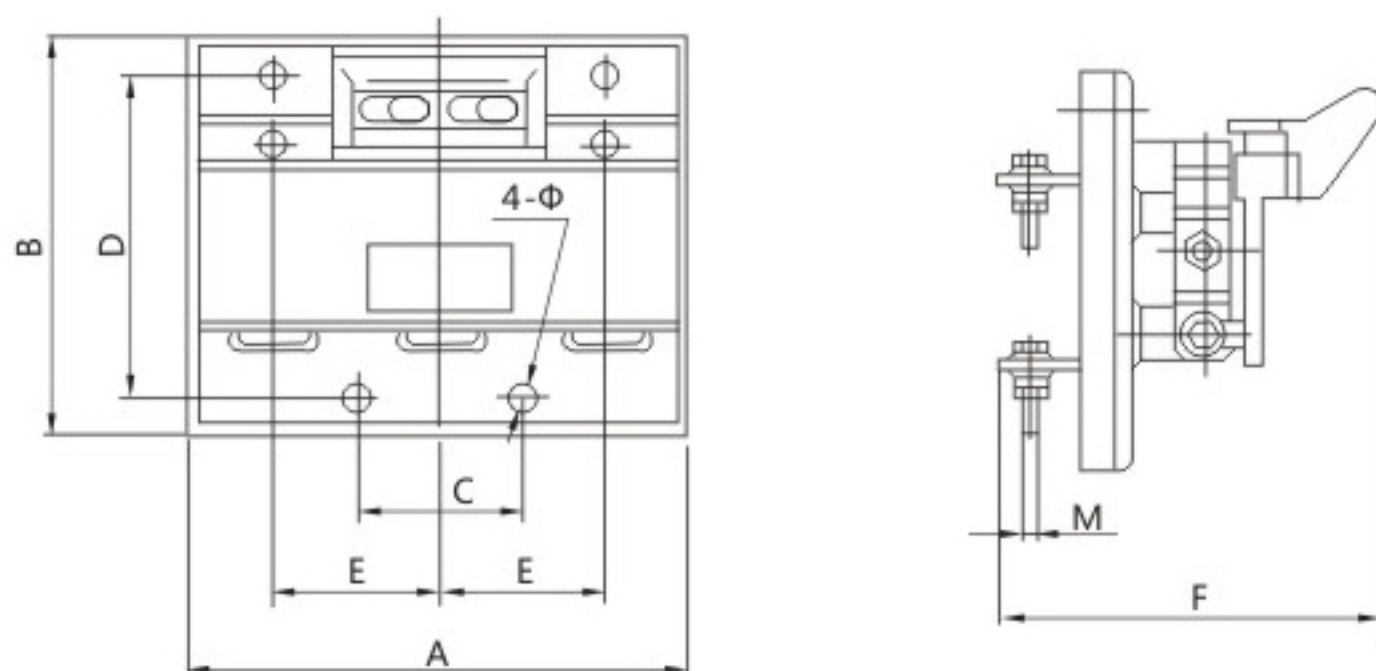


图2 HD11F-200~1600/39

表2

额定工作电流(A)	外形尺寸 (mm)					安装尺寸		
	A	B	E	F	M	C	D	Φ
200	190	180	70	205	M8	70	160	Φ7
400	220	210	80	220	M12	80	190	Φ7
630	270	240	100	220	M16	100	220	Φ9
1000	320	310	120	300	2-M12	120	260	Φ9
1600	360	340	130	300	4-M12	130	300	Φ11