

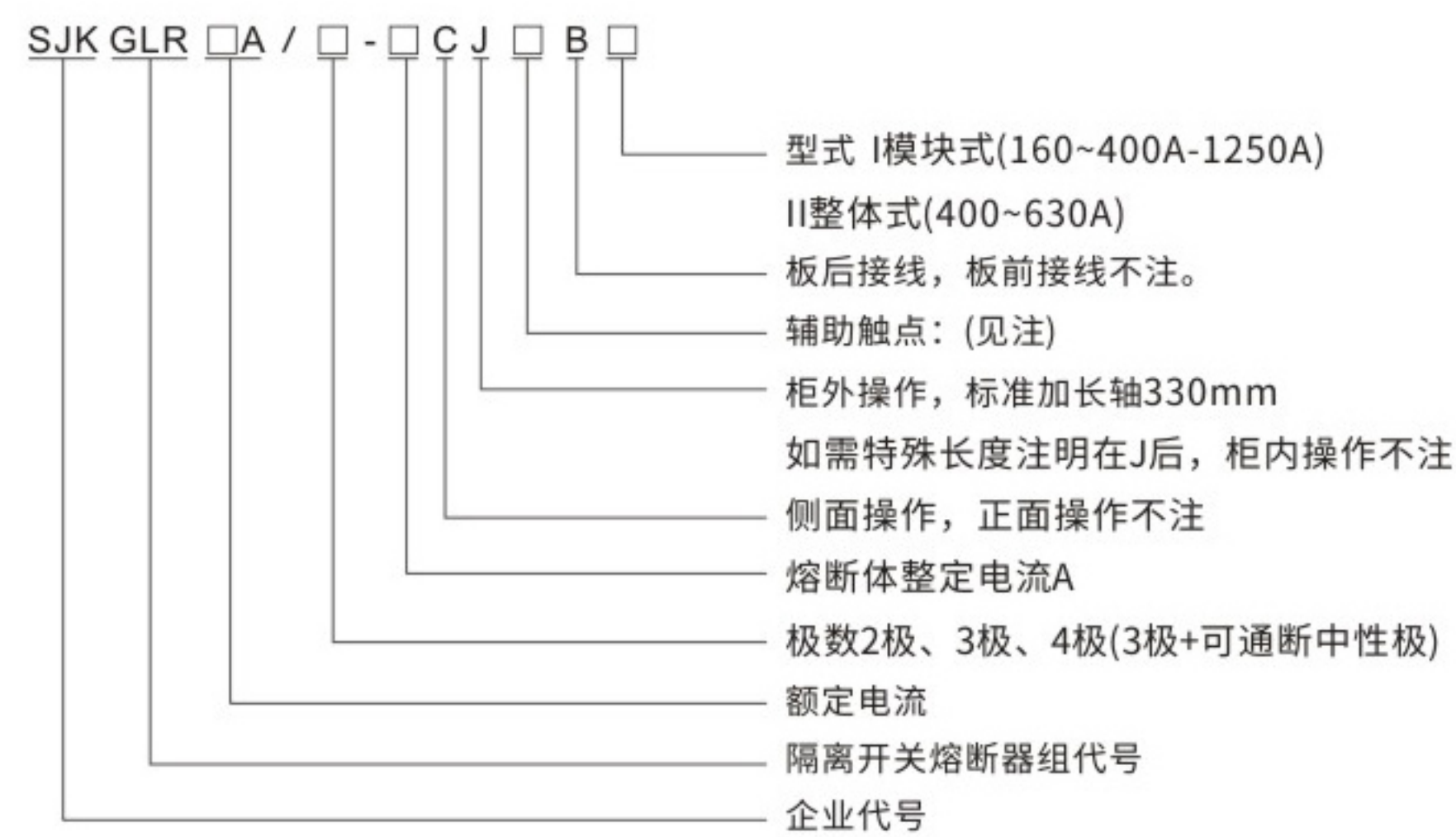
Overview

The SJKGLR series isolation switch fuse group (hereinafter referred to as the switch) is a multi pole, manually operated switch, made of glass fiber reinforced unsaturated polyester shell, with high dielectric performance, protection capability, and reliable operational safety. The operating mechanism is a spring-loaded, instantaneous release acceleration mechanism with a multi break contact structure for instantaneous connection and disconnection. Regardless of the speed of the joystick, it greatly improves various electrical and mechanical performance. The isolation switch fuse group can ensure the connection and disconnection of the circuit with load, and has reliable safety breaking protection against overcurrent or short circuit. Clearly visible disconnected state.

◆ Has strong resistance to moisture and heat

The switch has a beautiful, novel, simple, and compact design, making it the best choice for similar products

型号及含义



Note:

The functions within the box do not need to be annotated.

- ◆ F - normally open or normally closed auxiliary contact
- ◆ S-normally open+normally closed S-shaped auxiliary contact
- ◆ U-U auxiliary contact
- ◆ Selection example: Rated current of 160A, 3 poles, side cabinet operation

配用熔断体规格

隔离开关熔断体组额定电流A	熔断体额定电流A	熔断体尺码
63	10、20、30、40、50、63	00C
160	63、80、100、125、160	00
250	160 200、250	0 1
400	300、315、400	2
630	400、500、630	3
1250	800、1000、1250	4

SJKGLR-63~1250A/I type isolating switch fuse group

The SJKGLR-I model is a modular design structure. Ensure load connection and disconnection, reliable overcurrent and short-circuit safety disconnection protection. Clearly disconnectable state. There are two poles, three poles, four poles, (three poles+interruptible neutral pole). According to the fuse, there are 23 specifications ranging from 63 to 1250A

Structure and operation form

- ◆ Direct front operation: The handle is installed on the front of the switch
 - ◆ Direct side operation: The handle is installed on the right side of the switch (separate instructions for the handle on the left side are required)
- Front operation outside the cabinet: The handle is installed on the front of the distribution cabinet door ◆ Operation on the outer side of the cabinet: The handle is installed on the right side outside the distribution cabinet (separate instructions on the left side are required)

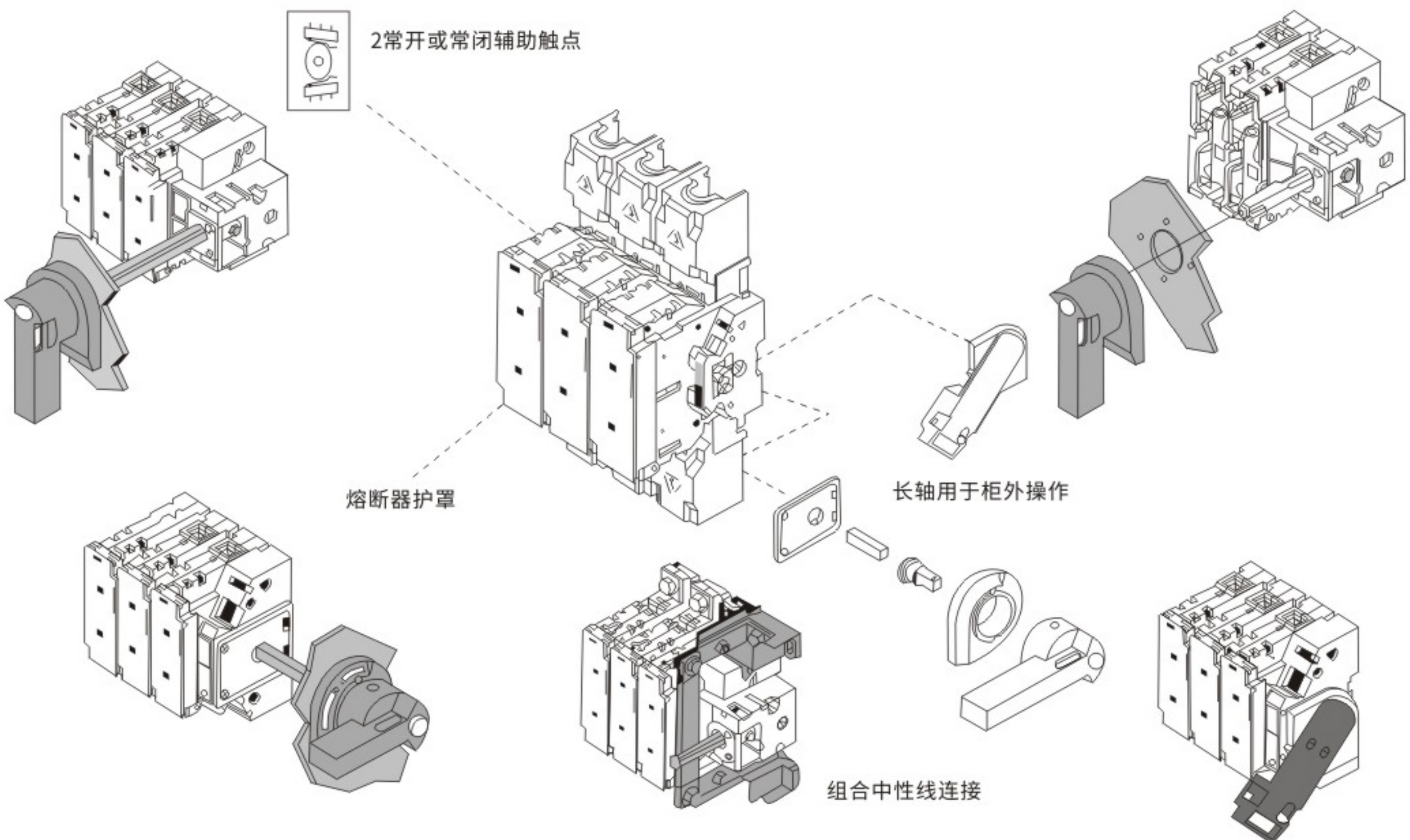
1常开或常闭辅助触点

2常开或常闭辅助触点

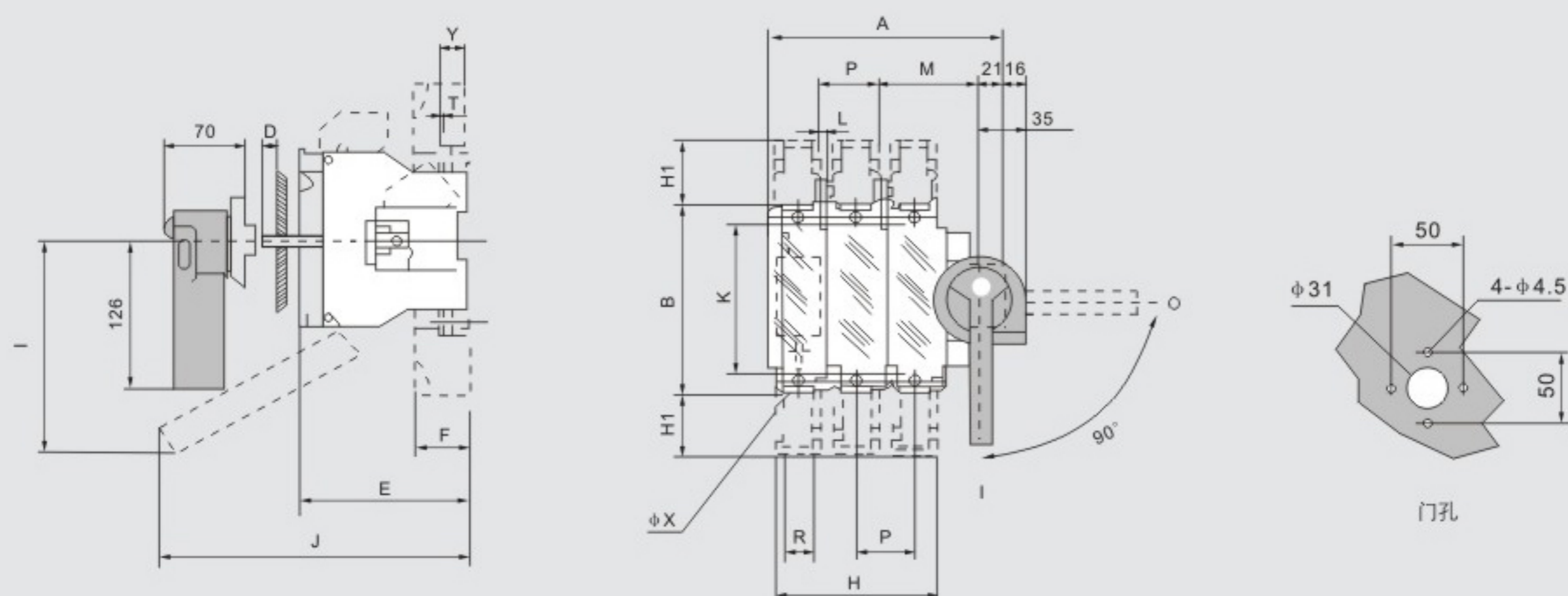
熔断器护罩

长轴用于柜外操作

组合中性线连接

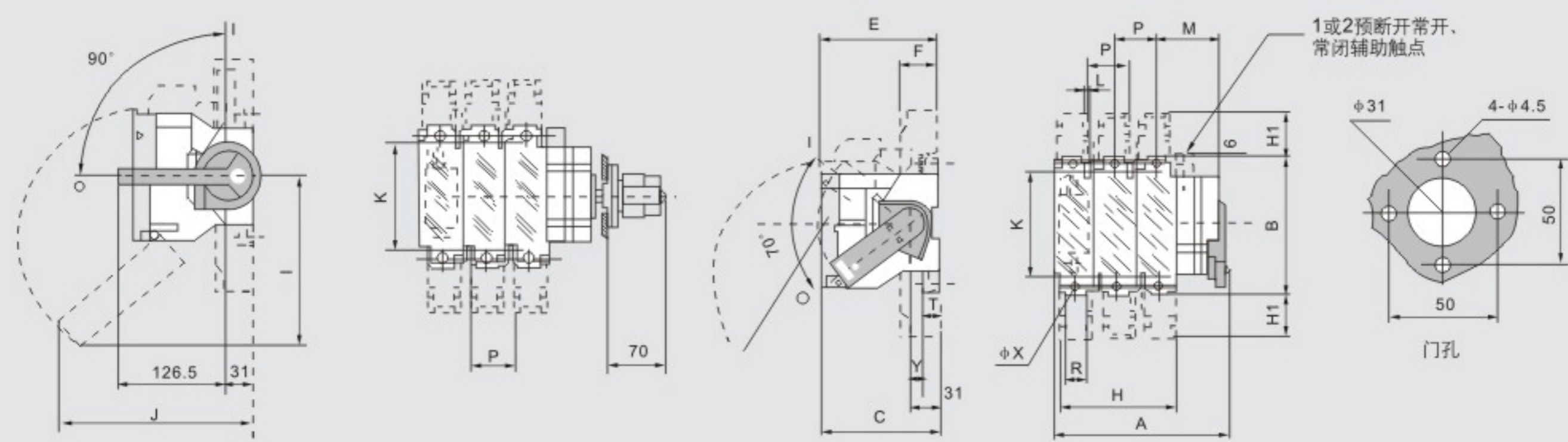


SJKGLR-63~400A/I隔离开关熔断器组外形与安装尺寸



SJKGLR63~400A柜外正面操作

规格	熔断器尺码	外形尺寸与安装尺寸																
		A	B	D	E	F	H	H1	I	J	K	L	M	P	R	T	ΦX	Y
SJKGLR-63A/3	0~00C	152	118	20~30	117				159	145	106	5	62.5	32				
SJKGLR-63A/4	0~00C	184	118	20~30	117				159	145	106	5	62.5	32				
SJKGLR-160A/3	0~00	164	162	28~30	126	44	108	53	141	189	127	5.4	67	36	20	2.5	8.5	19.5
SJKGLR-160A/4	0~00	200	162	28~30	126	44	144	53	141	189	127	5.4	67	36	20	2.5	8.5	19.5
SJKGLR-250A/3	1	236	195	28~30	146	65	10	75	185	251	162	6.2	90.5	60	32	2.5	11	19.5
SJKGLR-250A/4	1	296	195	28~30	146	65	240	75	185	251	162	6.2	90.5	60	32	2.5	11	19.5
SJKGLR-400A/3	2	278	205	28~30	149	65	192	75	200	260	172	7	121	66	50	3	11	20
SJKGLR-400A/4	2	344	205	28~30	149	65	258	75	200	260	172	7	121	66	50	3	11	20



SJKGLR63~400A柜外侧面操作

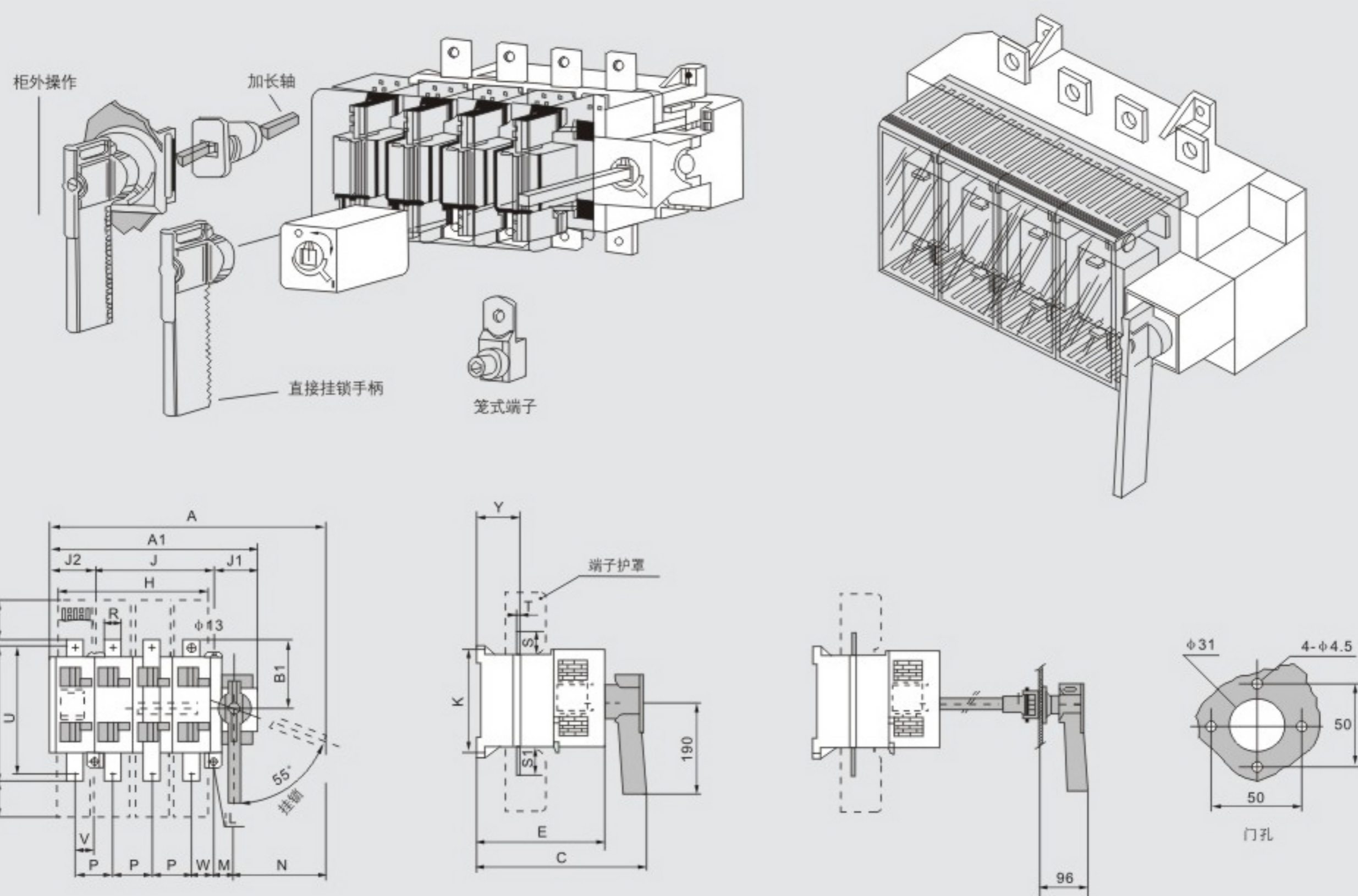
无连杆延长

SJKGLR63~400A侧面操作

外型尺寸与安装尺寸见下页

规格	熔断器尺码	外形尺寸与安装尺寸																
		A	B	C	E	F	H	H1	I	J	K	L	M	P	R	T	ΦX	Y
SJKGLR-63A/3	0~00C	133	118	134	126.5		116.5		159	145	106	5	36	32				
SJKGLR-63A/4	0~00C	164	118	117	126.5		116.5		159	145	106	5	36	32				
SJKGLR-160A/3	0~00	150	162	173	126.5	44	108	53	141	189	127	5.4	38	36	20	2.5	8.5	19.5
SJKGLR-160A/4	0~00	186	162	173	126.5	44	144	53	141	189	127	5.4	38	36	20	2.5	8.5	19.5
SJKGLR-250A/3	1	253	195	173	146	65	180	75	185	251	162	6.2	81	60	32	2.5	11	19.5
SJKGLR-250A/4	1	313	195	173	146	65	240	75	185	251	162	6.2	81	60	32	2.5	11	19.5
SJKGLR-400A/3	2	271	205	173	149	65	192	75	200	260	172	7	86	66	50	3	11	20
SJKGLR-400A/4	2	337	205	173	149	65	250	75	200	260	172	7	86	66	50	3	11	20

SJKGLR-400~630A/I隔离开关熔断器组外形与安装尺寸



SJKGLR630A正面直接操作

SJKGLR630A柜外正面操作

规格	熔断器尺码	外形尺寸与安装尺寸																								
		A	A1	B	B1	C	E	H	H1	H2	J	J2	J1	K	M	N	P	R	S	S1	T	V	U	W	φL	Y
SJKGLZ1-630A/3	3	470	345	300	150	348	268	235	85	85	250	100	76	250	38.5	162	80	50	50	50	7	45.5	260	44.5	9	74
SJKGLZ1-630A/4	3	550	425	300	150	348	268	315	85	85	250	100	76	250	38.5	162	80	50	50	50	7	34.5	260	44.5	9	74