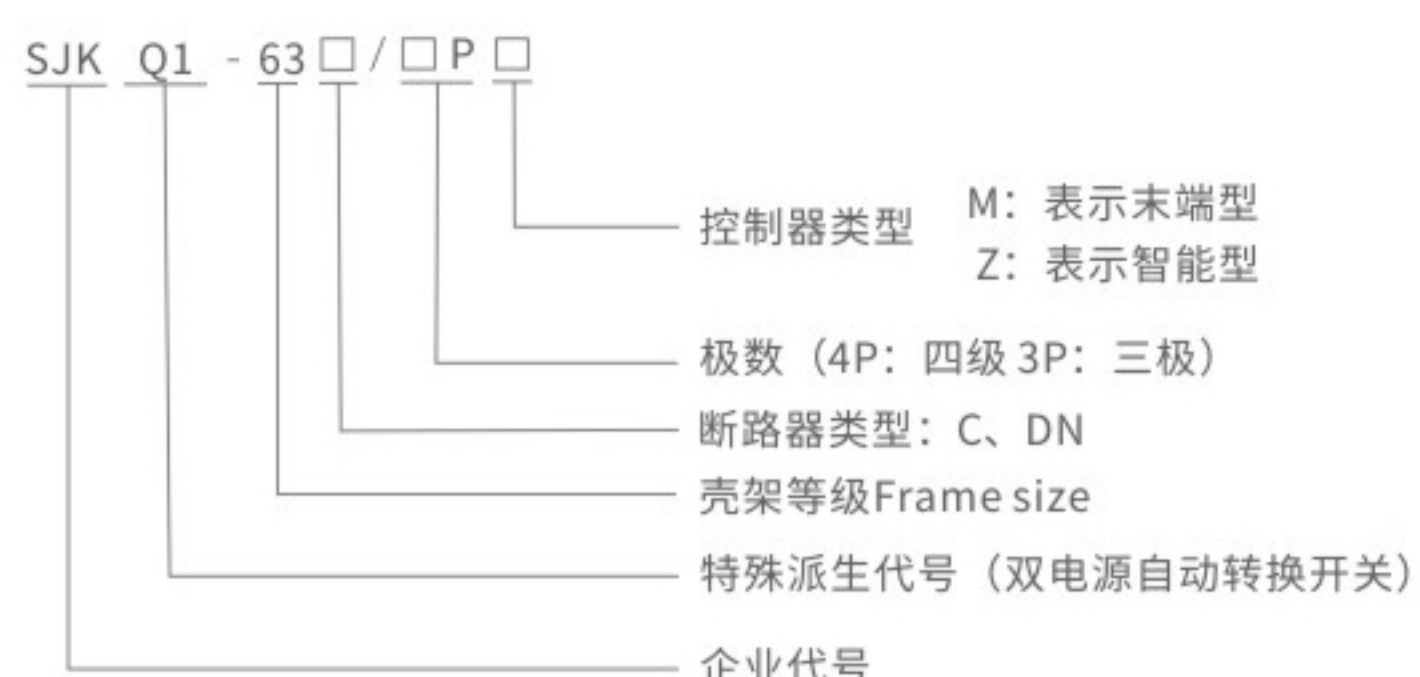


## Scope of application

SJKQ1 dual power conversion switch (hereinafter referred to as dual power) is suitable for power supply systems with AC 50/60Hz, rated working voltage of 400V, rated working current of 63A and below. The selection and conversion between two power sources can be carried out according to the needs. The product has overload, short circuit, and undervoltage protection functions, as well as fire protection, double opening, and output closing signal functions. Specially suitable for lighting circuits in office buildings, shopping malls, banks, high-rise buildings, etc. that require fire protection needs. This product complies with the GB/T14048.11 standard

## 型号及含义



## Normal working conditions

The altitude of the installation location shall not exceed 2000m

### ◆ Surrounding air temperature:

The upper limit of the surrounding air temperature shall not exceed +140°C. The average temperature of the surrounding air for 24 hours shall not exceed +35 °C. The lower limit of ambient air temperature shall not be lower than -5 °C

### ◆ Humidity:

When the maximum temperature is +40 °C, the relative humidity of the air should not exceed 50%. Higher relative humidity is allowed at lower temperatures, such as reaching 90% at 20 °C. Special measures should be taken for occasional condensation caused by humidity changes

Installation conditions: Install in a place without impact vibration and without rain or snow invasion; Connect the upper terminal to the power side and the lower terminal to the load side; The inclination with respect to the vertical plane shall not exceed 5 °

Installation category: III

The external magnetic field near the installation site shall not exceed 5 times the geomagnetic field in any direction

## Structure and Working Principle

### ◆ Structure

The SJKQ1 dual power switch mainly consists of two miniature circuit breakers, an electric motor, a controller, and a mechanical rotating device. The switch has three status positions for users to choose from. Common power supply combination, dual split, backup power supply combination

Adopting high breaking miniature circuit breakers with breaking capacity and characteristics

The structure is simple and practical, easy to operate, with advantages such as no noise, low impact force, and long practical life

### ◆ Working principle

The dual power automatic transfer switch detects two power sources through the controller. When one power source is abnormal, the controller makes logical judgments on the detection results and drives the operating mechanism to open or close according to the controller's instructions, thereby ensuring safe and reliable power supply to the load

## 主要技术参数

双电源自动转换开关基本参数见表1

表1

名称	产品性能参数	
符合标准	GB/T 14048.11	
ATS级别	CB级	
使用类型	AC-33iB	
额定工作电压	AC220-400V	
额定工作频率	50Hz/60Hz	
额定工作电流	6A,10A,16A,20A,25A,32A,40A,63A	
开关控制电压	AC220V	
额定绝缘电压	AC690V	
转换动作时间	<3s(不可调节, 出厂已调整好)	
寿命	电气寿命	1500次
	机械寿命	6000次
额定短路接通能力	7.5KA	
额定短路分断能力	5KA	

双电源自动转换开关末端型和智能型基本参数见表2

表2

产品型号	末端型	智能型
安装方式	一体式	
操作方式	自动和手动	自动、手动和双分
检测功能	断相检测	常用电源三相欠压、缺相和断相检测
转换方式	自投自复	
消防联动控制	无	DC12-24V输入双分 (火灾自动切断功能)
显示功能	信号指示功能	

## 开关外形及安装尺寸

外形尺寸及安装尺寸符合表3及图1要求

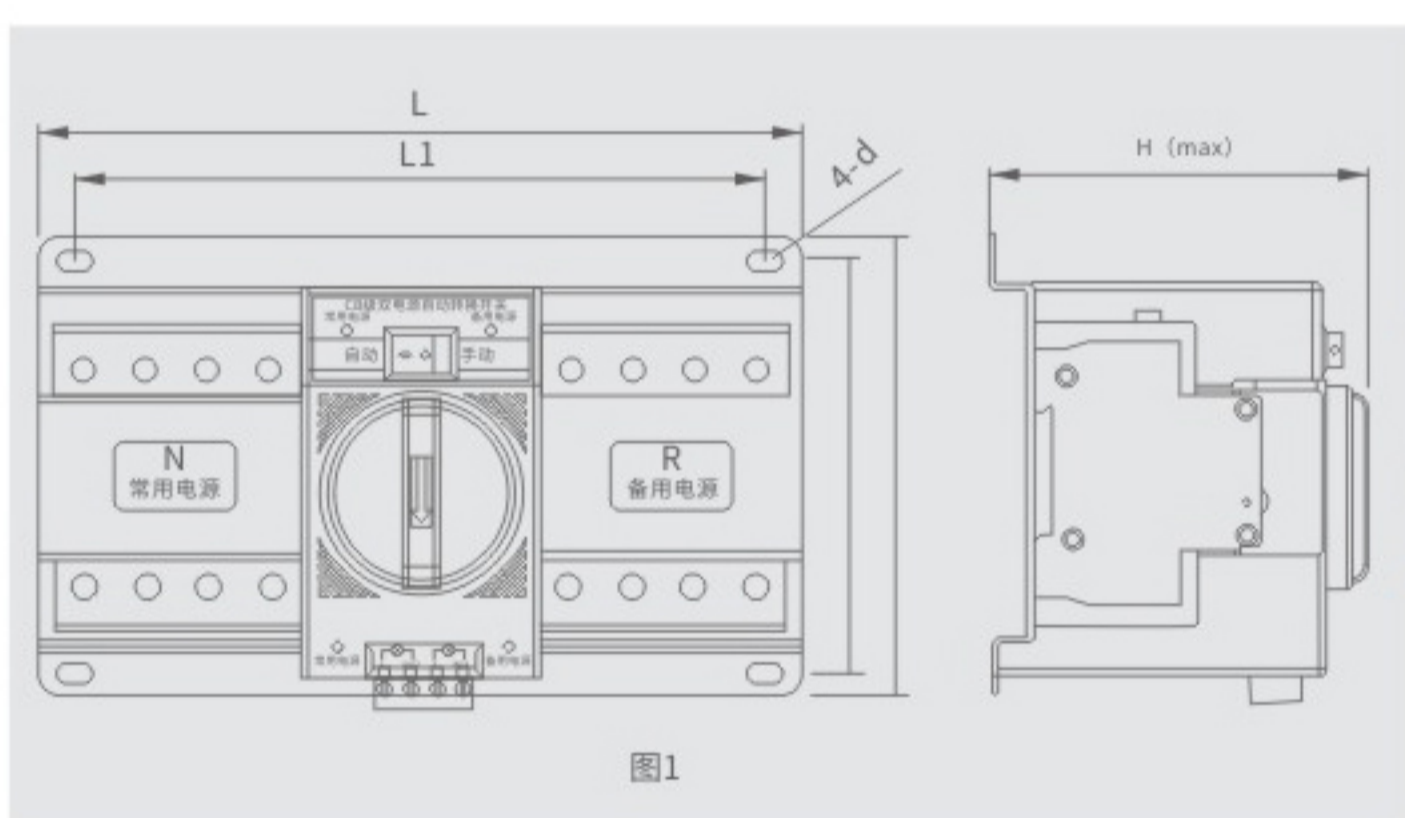


表3

型号规格	外形尺寸			安装尺寸		
	L	W	H	L1	W1	Φd
四级开关4	220	132	120	200	120	4
三级开关3	185	132	120	165	120	4

## 安装

### ◆连接导线

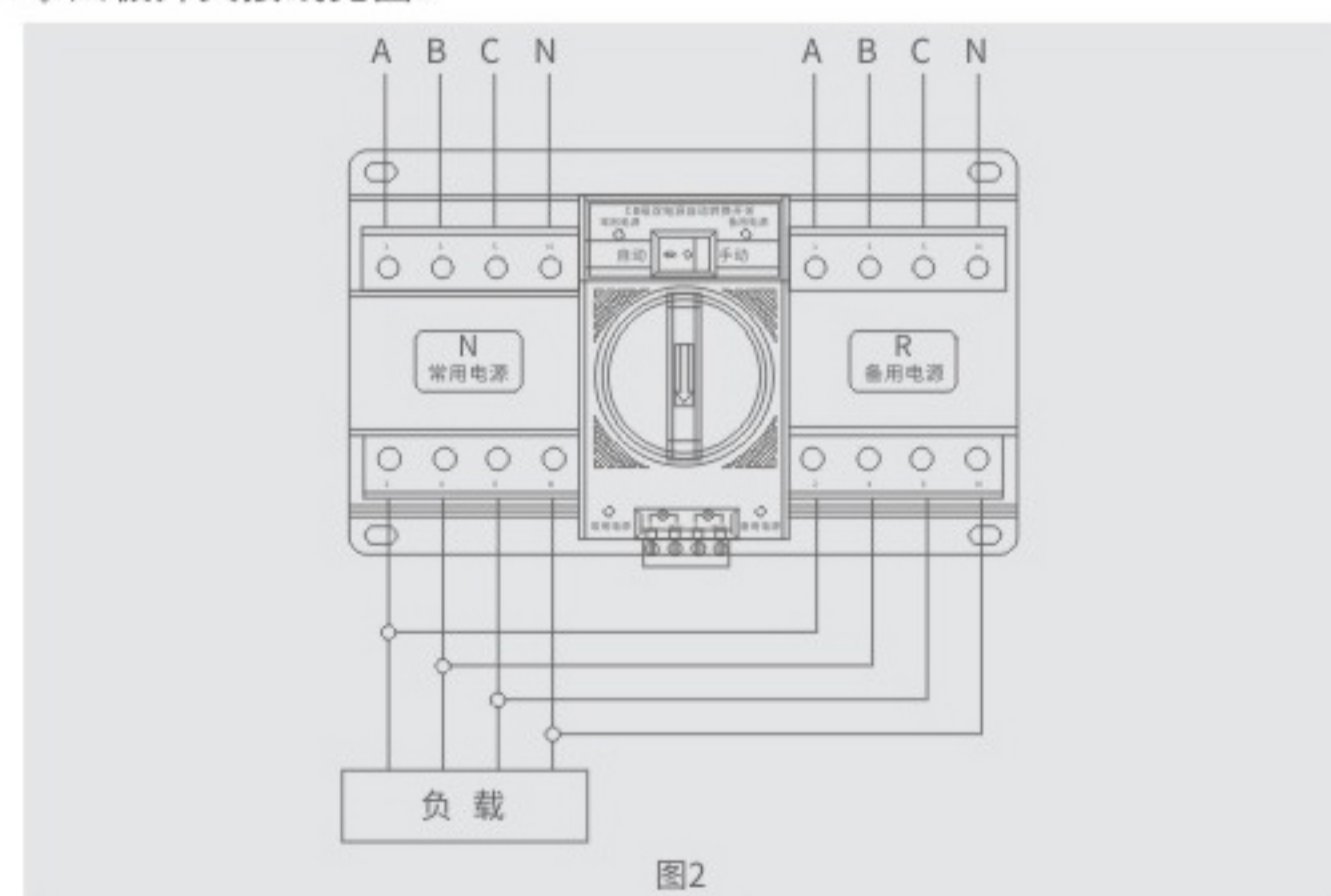
◇双电源用连接导线 (电缆) 采用单芯聚氯乙烯 (PVC) 绝缘铜导线或等效的铜排, 截面积按表4选取。

表4

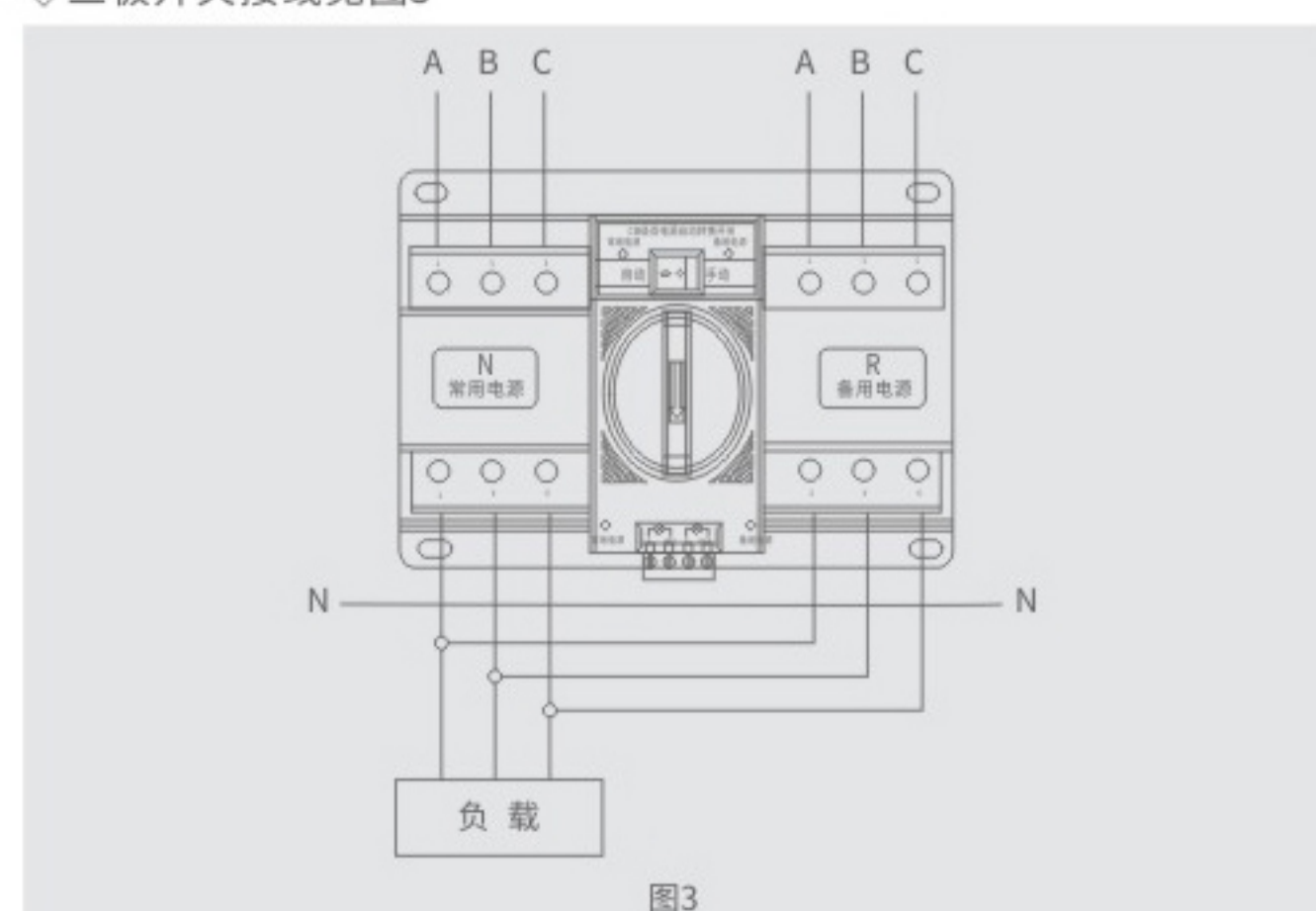
额定电流In(A)	6	10	16	20	25	32	40	50	63
导线或铜排截面积mm <sup>2</sup>	1.0	1.5	2.5	4.0	6.0	10	10	16	

### ◆双电源自动转换开关接线图

◇四极开关接线见图2

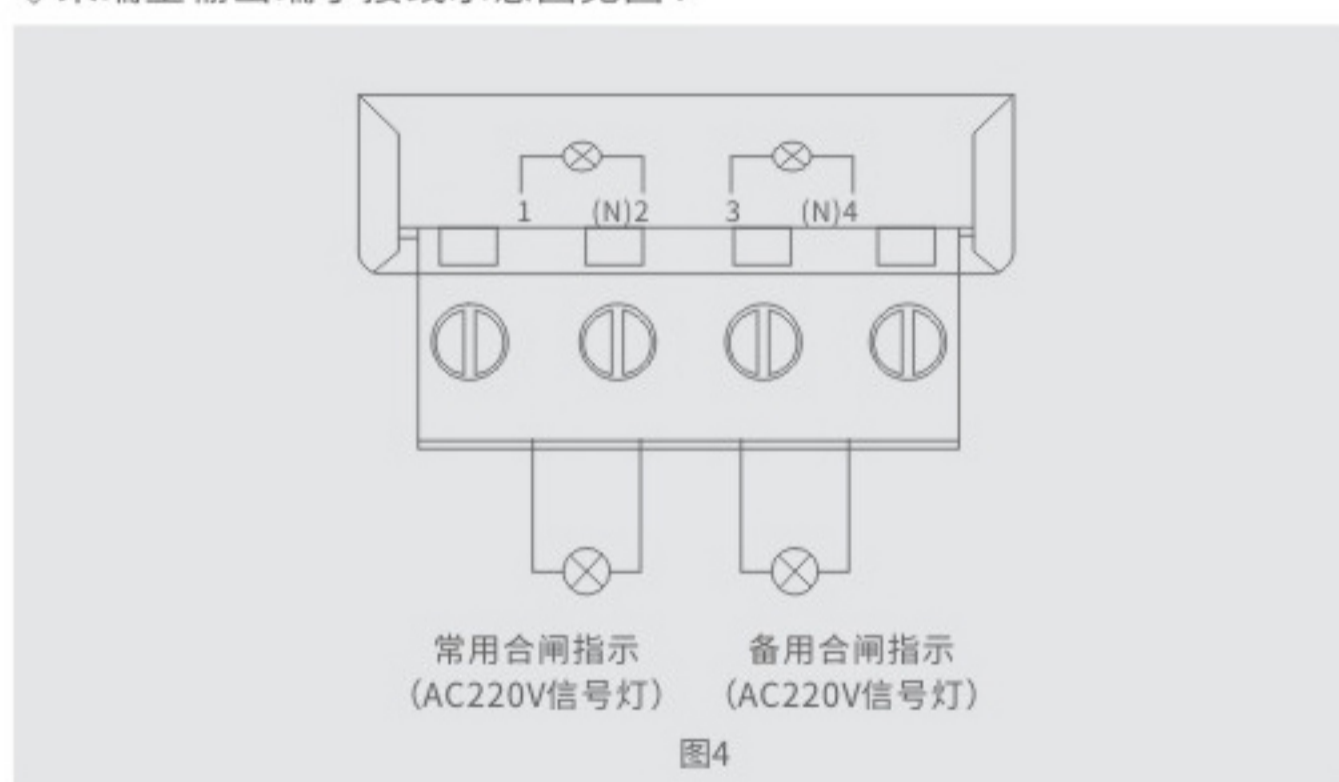


◇三极开关接线见图3

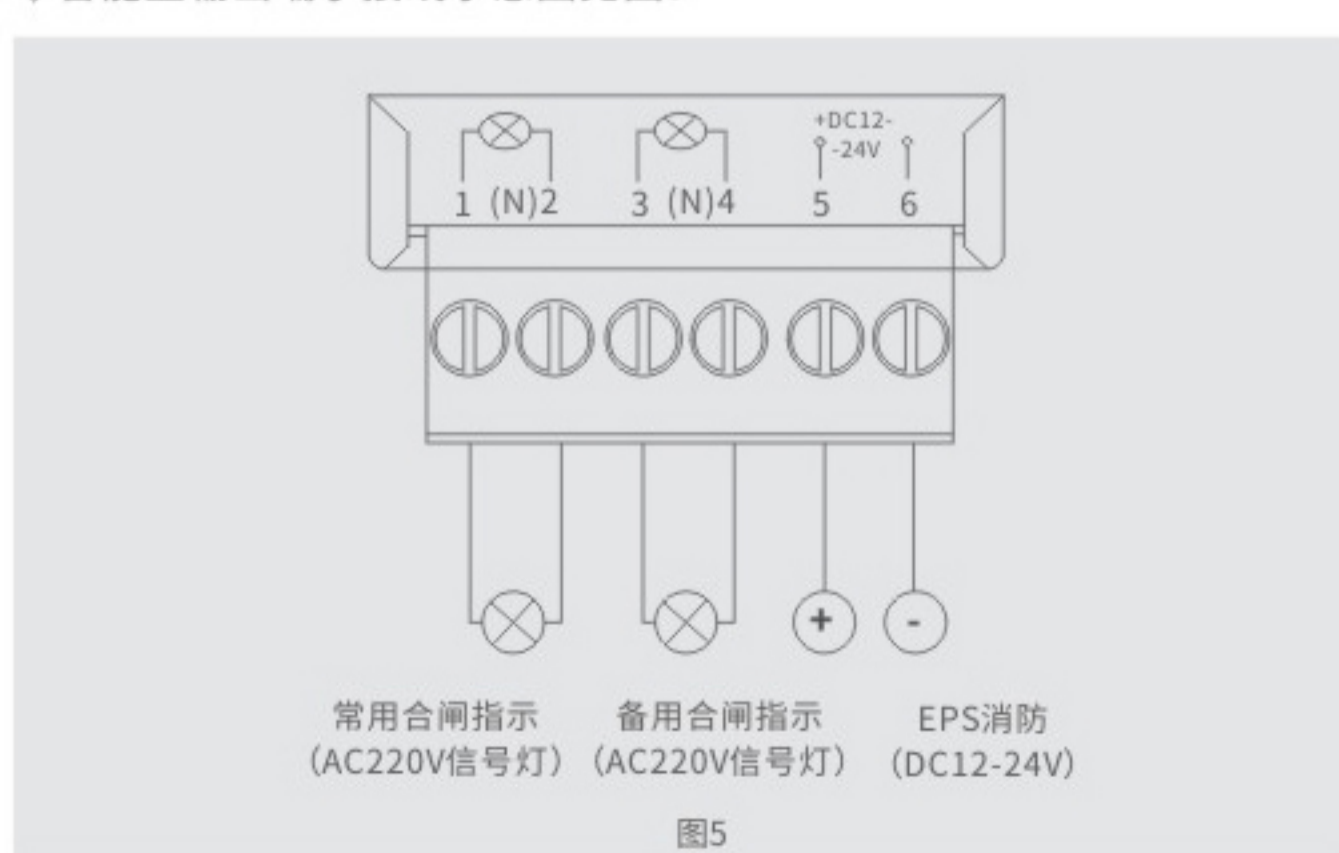


### ◆双电源自动转换开关输出端接线示意图

◇末端型输出端子接线示意图见图4



◇智能型输出端子接线示意图见图5



## Ordering Notice

When placing an order, the user must specify

- ◇ Name and model of dual power automatic transfer switch
- ◇ Rated current of dual power automatic transfer switch (A)
- ◇ Number of poles (four poles, if not specified by the customer, the product is a three-phase four wire system)
- ◇ Controller type for dual power automatic transfer switch

### ◆ Quantity

Customer requirements for miniature circuit breakers DZ47 or C65

For example: Order 50 units of dual power automatic transfer switch, three pole, rated current 6A, terminal type. Can be written as: SJKQ1-63/3P6A50 units

Ordering dual power automatic transfer switch, four pole, rated current 63A, intelligent type, miniature circuit breaker requires 50 units of C45D type. Can be written as: SJKQ1-63/4PZ63AC45D50 units