

Product Overview

JP outdoor comprehensive distribution box is an outdoor comprehensive distribution device that integrates multiple functions such as metering, outgoing lines, and reactive power compensation; Integrate protection functions such as short circuit, overload, overvoltage, and leakage; Small in size, beautiful in appearance, economical and practical, installed on the pole of outdoor pole mounted transformers, it is a new generation ideal distribution product for urban and rural power grid renovation

产品型号说明

JP - □ / □

① ② ③

①	综合配电箱
②	变压器容量
③	主回路方案号

Usage conditions

Environmental temperature: -25 °C - +40 °C

Relative humidity: daily average not exceeding 90%, monthly average not exceeding 90%

Altitude: not exceeding 1000m

Installed in a place without severe vibration and impact, and without corrosive gases

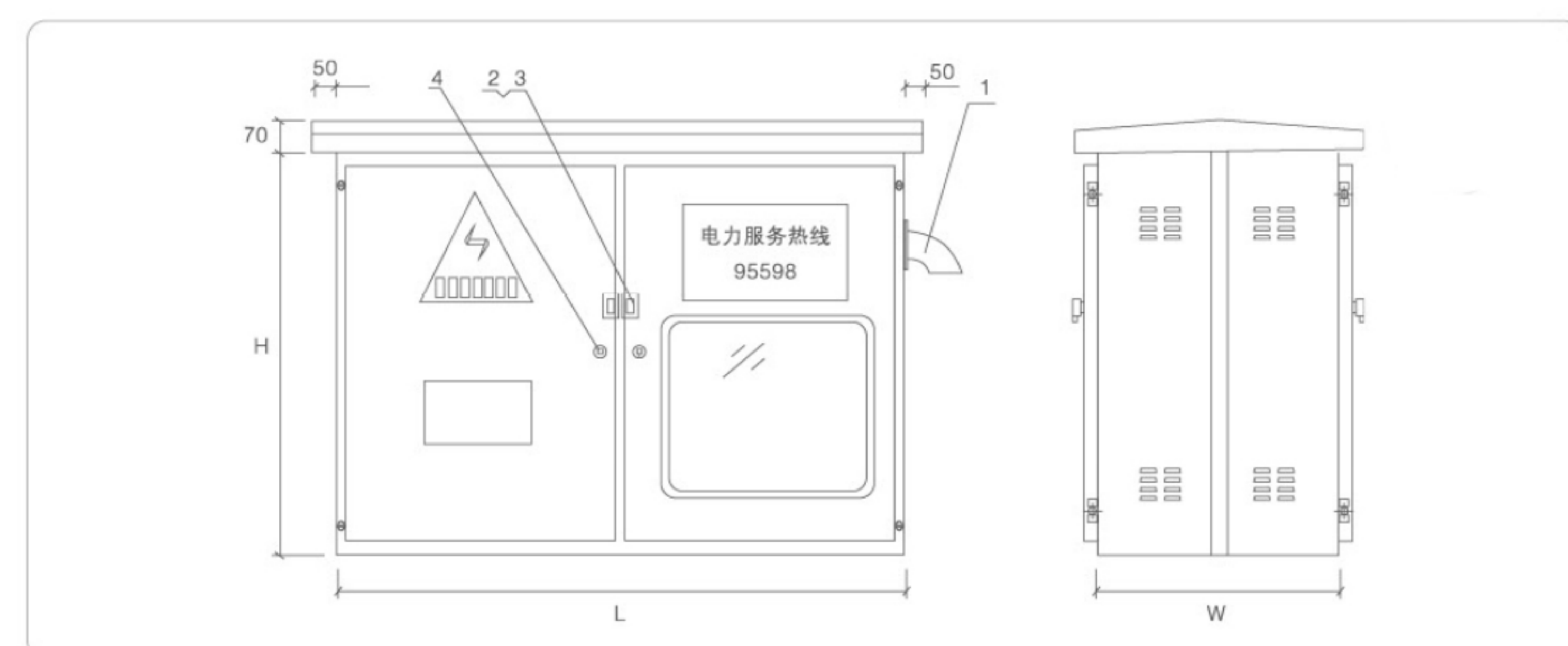
Note: If ordering this product exceeds the above conditions, please consult with our company

技术参数

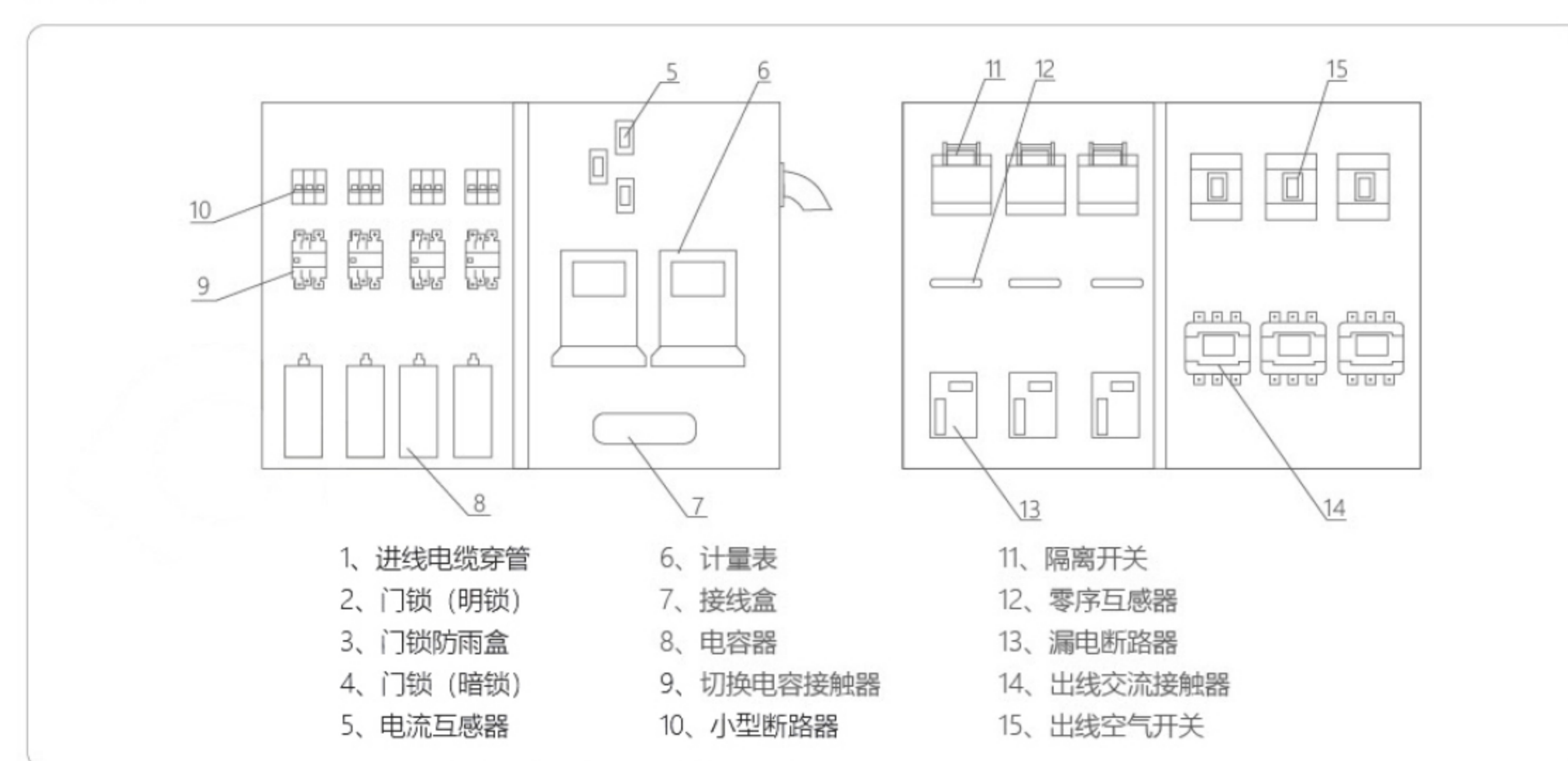
序号	名称	单位	参数
1	变压器容量	KVA	30-400
2	额定工作电压	V	AC400
3	辅助回路工作电压	V	AC220,AC380
4	额定频率	HZ	50
5	额定电流	A	≤ 630
6	额定落点动作电流	A	30-300 可调
7	防护等级		IP44

箱体结构示意图

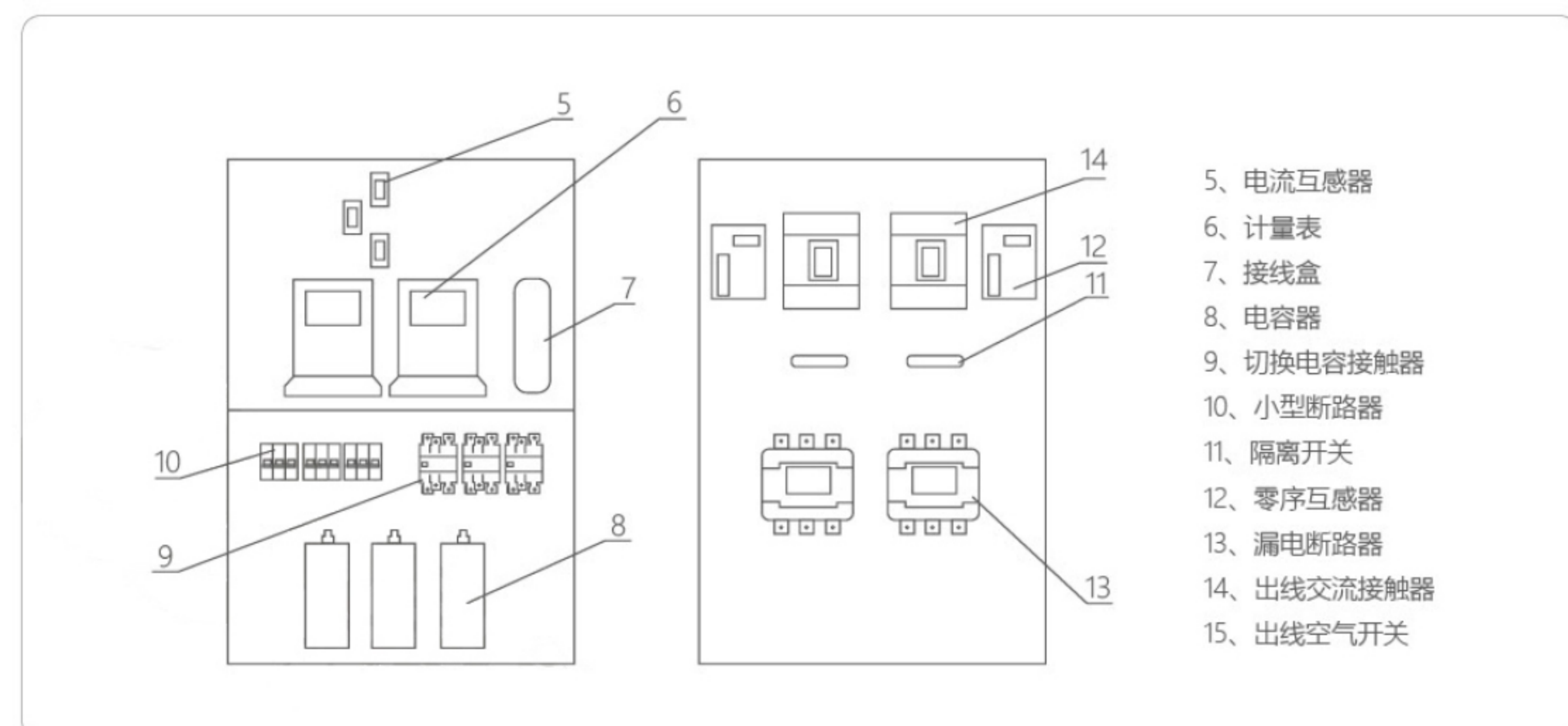
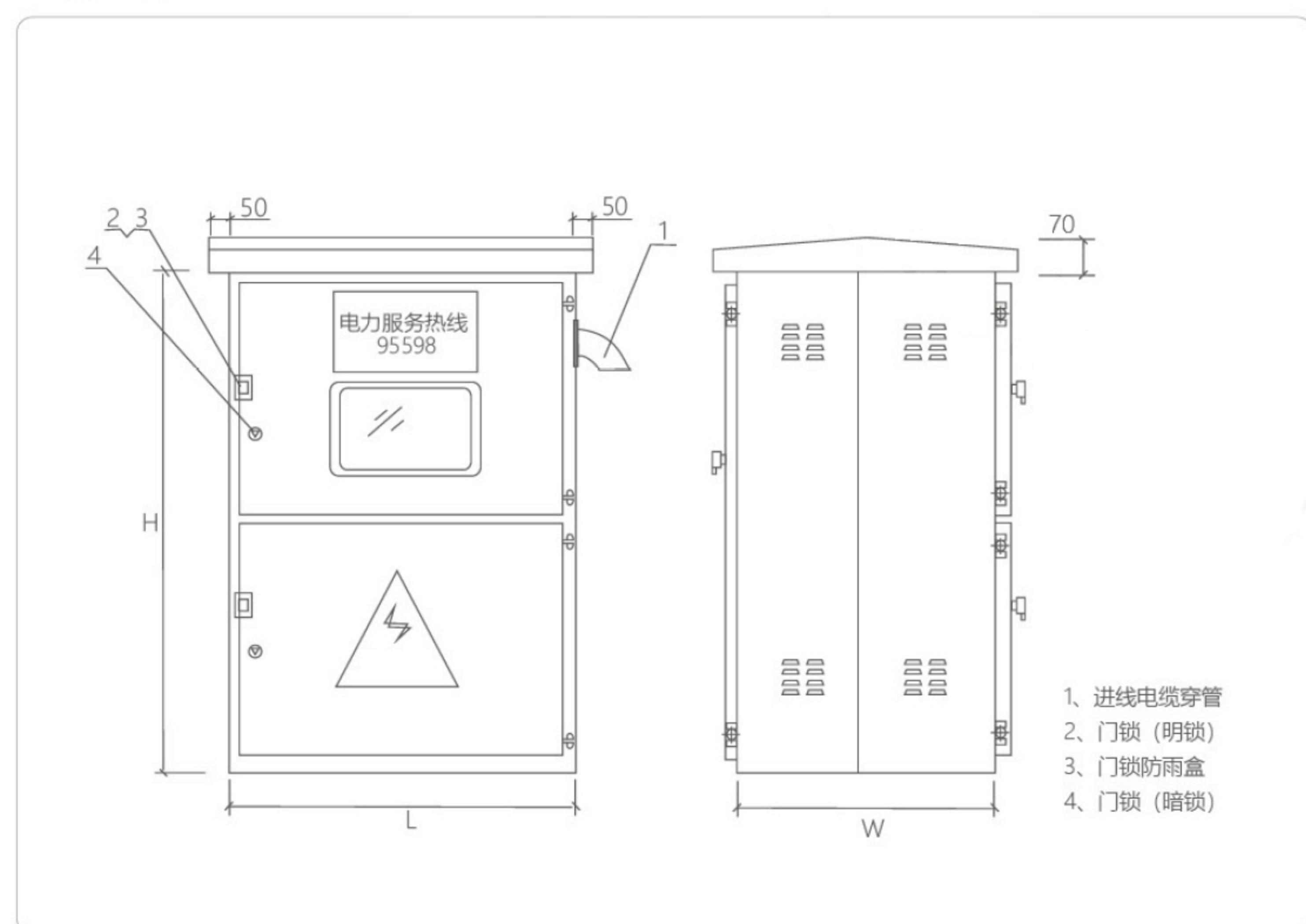
卧式箱体外形尺寸



安装示意图



立式箱体外形尺寸



箱体外形尺寸

卧式箱体外形尺寸

变压器容量	方案号	L	W	H
30-100KVA	01,06	800	450	700
30-250KVA	02,04,07,09	900	500	700
100-400KVA	03,05,08,10	1100	600	800

注: 以上尺寸仅供参考

立式箱体外形尺寸

变压器容量	方案号	L	W	H
30-100kVA	01,06	600	450	1000
30-250kVA	02,04, 07,09	700	500	1000
100-400kVA	03,05, 08,10	800	600	1100

注: 以上尺寸仅供参考

Ordering Notice

Product model and quantity

Product structure type (vertical, horizontal)

The models and technical parameters of the main components

Special requirements to be resolved through negotiation with the manufacturer